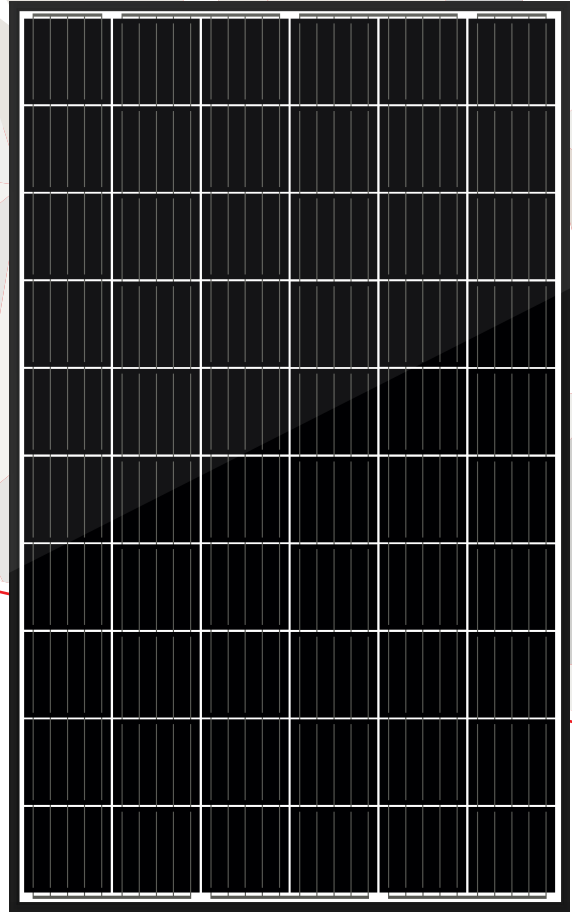


SRP-6MB-HV MX SERIES 6 INCH 60 CELLS

315-350



KEY FEATURES



Bankable products



Module level optimization



Top rank in Photon yield measurement



Safety for fire risk
(Class C tested in TÜV SÜD and Rheinland)



Allows 20–35% more modules per string saving BoS cost



Triple 100% Electroluminescence (EL) tests minimize breakage rate



World 1st company to pass "Thresher Test" and "On-site Power Measurement Validation" certificate



Anti-PID products, passing TÜV SÜD system voltage durability test



Tested and certified according to newest IEC standard
IEC61730-1:2016 IEC61215-1:2016
IEC61730-2:2016 IEC61215-2:2016

MANAGEMENT SYSTEM

ISO 9001: Quality management system
ISO 14001: Standard for environmental management system
OHSAS 18001: International standard for occupational health and safety assessment system

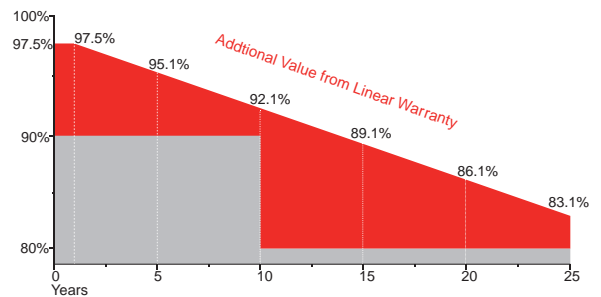
INSURANCE



PRODUCT CERTIFICATES



WARRANTY



Guarantee on product material and workmanship



linear power output warranty

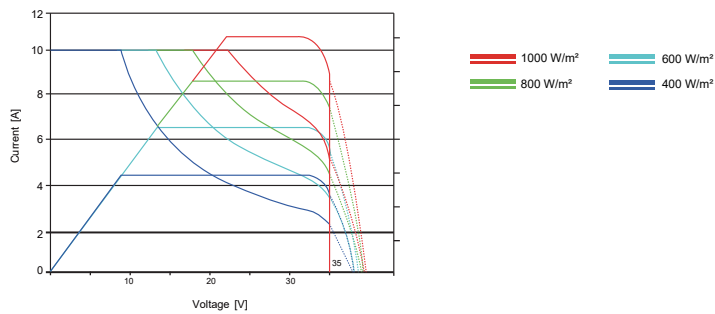
Optimized by maxim integrated. SRP-DS-EN-2020V1.0 © Copyright 2020 Seraphim

Electrical Characteristics

Module Type	SRP-315-6MB-HV		SRP-320-6MB-HV		SRP-325-6MB-HV		SRP-330-6MB-HV	
	STC	NOCT	STC	NOCT	STC	NOCT	STC	NOCT
Maximum Power -P _{mp} (W)	315	234	320	238	325	242	330	246
Open Circuit Voltage -V _{oc} (V)	40.4	37.3	40.6	37.5	40.8	37.7	41.1	38.0
Short Circuit Current -I _{sc} (A)	9.92	8.05	10.02	8.14	10.11	8.21	10.19	8.27
Maximum Power Voltage -V _{mp} (V)	32.8	30.9	33.0	31.2	33.2	31.4	33.5	31.7
Maximum Power Current -I _{mp} (A)	9.61	7.58	9.70	7.64	9.79	7.70	9.86	7.77
Module Efficiency STC-η _m (%)	18.88		19.18		19.48		19.78	
Power Tolerance (W)	(0,+4.99)							
Maximum System Voltage (V)	1500VDC							
Maximum Series Fuse Rating (A)	20A							
Pmax Temperature Coefficient	-0.36 %/°C							
Voc Temperature Coefficient	-0.28 %/°C							
Isc Temperature Coefficient	+0.05 %/°C							
Operating Temperature	-40~+85 °C							
Nominal Operating Cell Temperature	45±2 °C							

STC: Irradiance 1000 W/m² module temperature 25°C AM=1.5
 NOCT: Irradiance 800 W/m² ambient temperature 20°C wind speed :1m/s Power measurement tolerance: +/-3%

I-V Curve



Mechanical Specifications

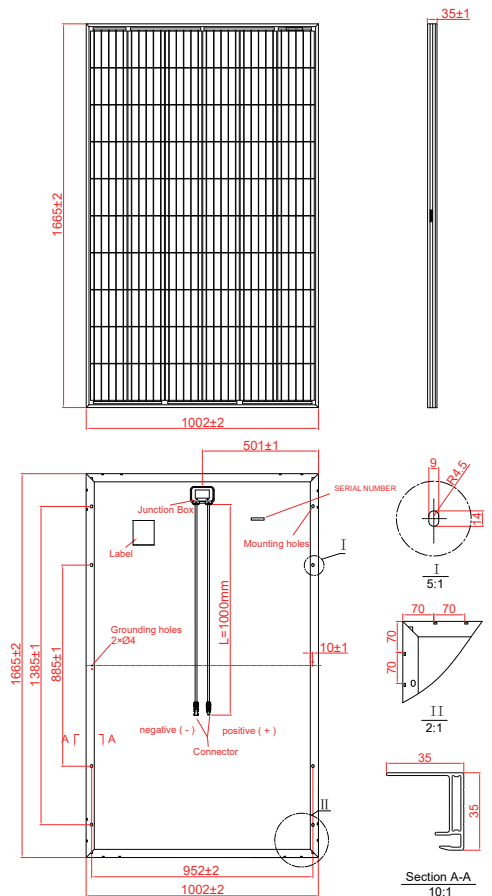
External Dimension	1665 x 1002 x 35mm
Weight	18.5kg
Solar Cells	PERC Mono crystalline 158.75 x 158.75 mm (60pcs)
Front Glass	3.2 mm AR coating tempered glass, low iron
Frame	Anodized aluminium alloy
Junction Box	IP68, 3 diodes
Output Cables	4.0 mm ² , cable length:1000 mm
Connector	MC4 Compatible
Mechanical Load	Front side 5400Pa/ Back side 2400Pa

Packing Configuration

External Dimension	1665 x 1002 x 35mm		
Container	20'GP	40'GP	40'HQ
Pieces per Pallet	31	31	31+2*
Pallets per Container	12	26	26
Pieces per Container	372	806	858

* 30+2 pieces per pallet is the special package which only suits for container transport.For details,please consult SERAPHIM.

Technical drawing



* All Dimensions in mm.
 * The above drawing is a graphical representation of the product.
 For engineering quality drawings please contact SERAPHIM.